



- ✓ Time adjustment star contactor
3s - 1min
- ✓ Transit time 50ms fixed
- ✓ Supply voltage 24V AC/DC, 230V AC
- ✓ 2 normally open contacts
- ✓ Width 22,5 mm

Control elements

- ✓ Fine adjustment star contactor

Status indication

- ✓ LED U: Supply voltage
- ✓ LED R: Relay status star contactor / Delta contactor



TECHNICAL DATA

SUPPLY CIRCUIT

Terminals	24V AC/DC	A1-A3
	230V AC	A1-A2
Supply voltage	24V AC/DC; 230V AC	
Supply voltage tolerance	24V AC/DC 230V AC	-15 / +15 %
Rated frequency	50 / 60 Hz or DC	
Rated frequency tolerance	48 ... 63 Hz	
Rated consumption	24V DC	typ. 0,6 W
	230V AC	typ. 0,5 W / 5,5 VA
Duty-cycle	100%	
Backup power time	< 6 ms	
Recovery time	> 40 ms	
Drop-out voltage	≥ 20% of U_N	

TIMING CIRCUIT

Time ranges	Star	0,05 ... 1 min
-------------	------	----------------

RANGE OF FUNCTIONS

Functions	1	S
-----------	---	---

STATUS INDICATION

Supply voltage	LED U (green) on	supply voltage applied
Relay status	LED R (yellow) on	star contactor is active
	LED R (yellow) off	delta contactor is active (green LED U illuminated)



OUTPUT CIRCUIT

Terminals		28-18-17
Kind of output		Relay
Number of contacts	normally open contact	2
Contact material		AgNi
Rated voltage (IEC 60947-5-1)		250 V
Maximum switching voltage		250 V AC
Minimum switching voltage / switching current		12 V / 10 mA
Rated current (IEC 60947-5-1)	AC-1	3 A / 250 V
Endurance	mechanical	1 x 10 ⁷ switching cycles
	electrical	100 x 10 ³ switching cycles
Rated frequency of operation	with load	6/min
	without load	1200/min

ACCURACY

Base accuracy		± 10 % (of full scale)
Setting accuracy		< 5 % (of full scale)
Repeat accuracy		< 1 % or ±0,6 s
Temperature influence		< 0,025 % / °C
Voltage influence		< 0,0025 % / V

ENVIRONMENTAL CONDITIONS

Ambient temperature	operation	-25 ... +60 °C
	storage	-40 ... +70 °C
Relative humidity		5 ... 95 %

GENERAL DATA

Dimensions	W × H × D	22,5 × 67 × 76 mm
Mounting		DIN rail (EN60715)
Mounting position		any
Housing material		PA 66, self-extinguishing plastic, class V-0
Degree of protection	housing	IP40
	terminals	IP20
Electrical connection		Screw terminal
Wire size	flexible with wire end ferrule	0,5 ... 2,5 mm ² (20 AWG ... 13 AWG)
	flexible without wire end ferrule	0,5 ... 4 mm ² (20 AWG ... 12 AWG)
	rigid	0,5 ... 4 mm ² (20 AWG ... 12 AWG)
Stripping length		8 mm



GENERAL DATA

Tightening torque	max. 1Nm
Prospective current value	1000 A _{Eff}
Fuse rating	5A fast acting
Weight	70 g

ISOLATION DATA

Pollution degree (IEC 61812-1)	2
Overvoltage category (IEC 61812-1)	III
Rated insulation voltage (IEC 61812-1)	supply circuit / output circuit 300 V
Rated impulse withstanding voltage (IEC 61812-1)	supply circuit / output circuit 4 kV
Insulation test voltage (IEC 61812-1)	supply circuit / output circuit 1600 V
Insulation	supply circuit / output circuit basic insulation

STANDARDS

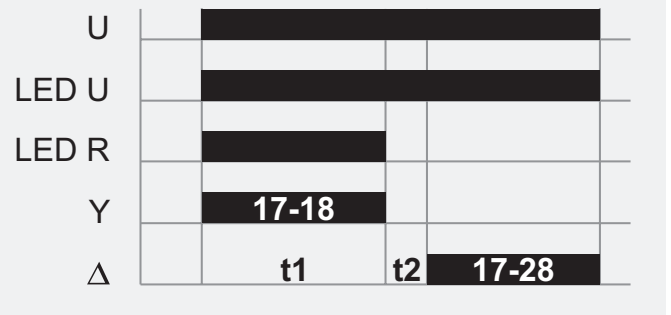
Product standard	IEC 61812-1
Interference immunity	IEC 61812-1 class A
Interference emmision	IEC 61812-1 class A
Approvals	



FUNCTIONS

Star-Delta start-up (S)

When the supply voltage U is applied (green LED U illuminated), the star-contact switches into on-position (yellow LED R illuminated) and the set star-time t1 begins. After the interval t1 has expired the star-contact switches into off-position (yellow LED R not illuminated, green LED U illuminated) and the fixed transit-time t2 begins. After the transit time has expired the delta-contact switches into on-position. To restart the function the supply voltage must be interrupted and re-applied.





VEO

TIME RELAY / STAR-DELTA-TIMER

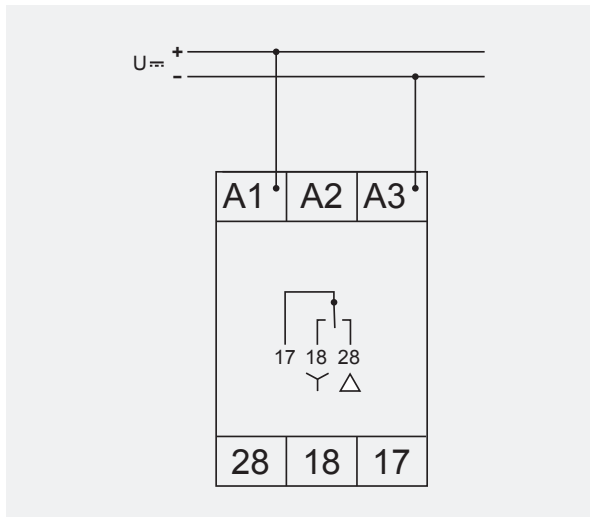
V2ZS20-E 1MIN 230V AC 24V AC/DC

Art.Nr.: 125302

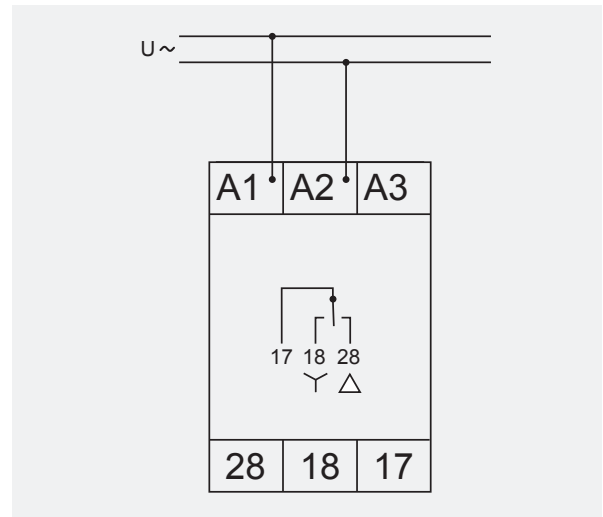


CONNECTIONS

24V AC/DC



230V AC





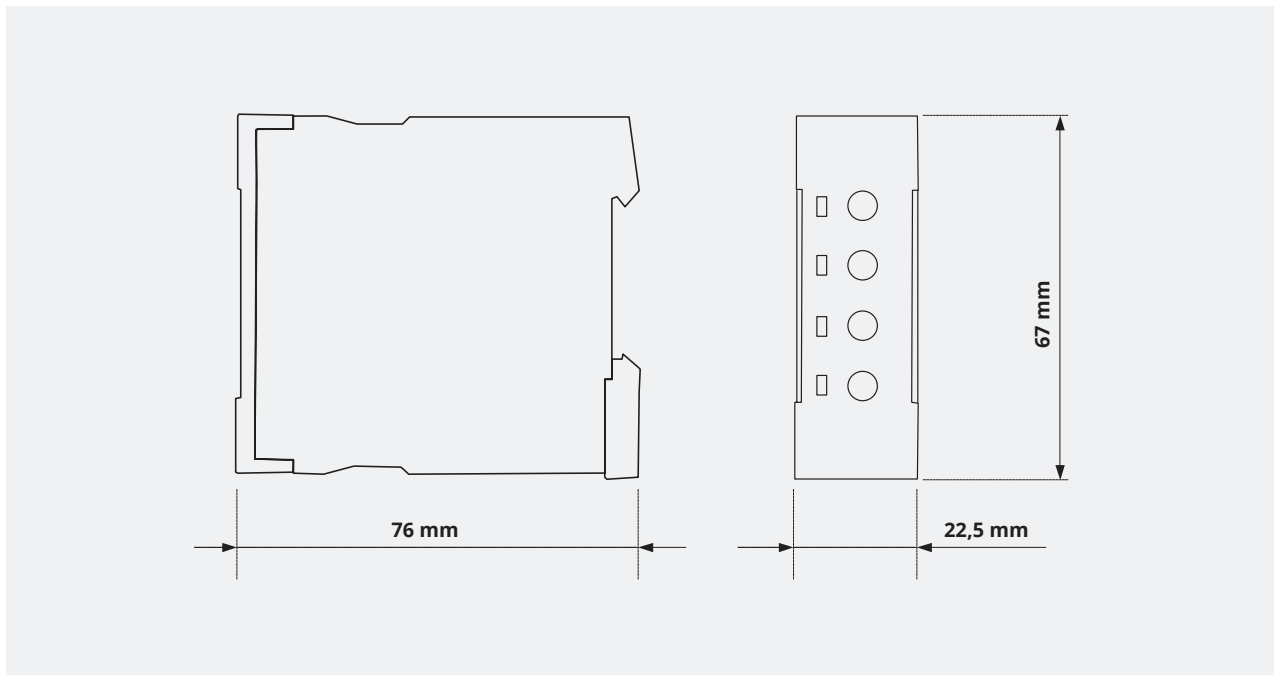
VEO

TIME RELAY / STAR-DELTA-TIMER

V2ZS20-E 1MIN 230V AC 24V AC/DC
Art.Nr.: 125302



DIMENSIONS



CONTACT



TELE Haase Steuergeraete Ges.m.b.H.

Vorarlberger Allee 38
1230 Vienna
Austria

CALL US



+43 / 1 / 614 74 - 0

ONLINE SUPPORT



info@tele-online.com